



IP66

IP69K

RoHS
compliant

REACH
COMPLIANCE

Made in
Germany



WE
CONTROL
COMPONENTS

[Bestel direct online @ CC Nederland »](#)



Electro-flandria

[Voor aanvragen uit België klik hier »](#)

In enclosures and housings with a high degree of protection, temperature differences result in condensation. By using a drainage device, it is possible to safely drain off the condensate without losing a maximum enclosure protection of IP66. A water-permeable membrane ensures the drainage of the enclosure due to its capillary effect. The design prevents splash water from entering the interior of the enclosure.

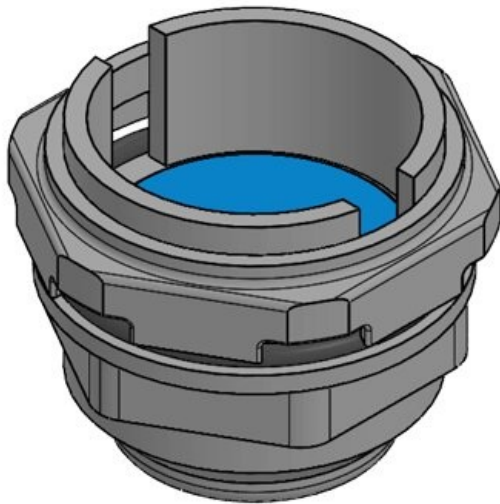
The drainage device is fixed in the bottom of the enclosure using the union nut in a hole of $\varnothing 50.5 +0.5$ mm. Make sure that the sealing ring is on the outer housing wall and that the hole is free of burrs.

Specificaties

IP-classificatie (EN 60529)	IP66, IP69K
Temperatuur	-45 C° tot 70 C°
Montage type	Bevestiging met borgmoer

Voordelen

Producttypes en maten



Art.nr.	99193	Inbouwmaat	50,5 mm
EAN	4251269324		rond
	789	Schroefdraad	M50 x 1,5
Aantal	1	Water	200 ml/h
Lengte	49,5 mm	permeability (5	
Breedte	60 mm	mm water	
Hoogte	60 mm	column)	
Montage hoogte	28,5 mm		