

0000 000
00 000 00 4-12 mm



000 0000 00 0000 00 0000 0000 000 000 0 0000.

RoHS
compliant

REACH
COMPLIANCE

00 0 00

- AT-K-M 0000 0000 000 0000 00 0000 0000 0 00
- 000 0? 000 00 000 0
- 00 00 000

00, 00 00

UL94-V0, 00000

-40 C° to 100 C°

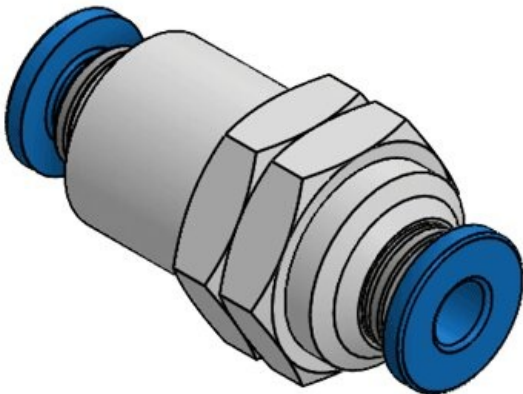
000 00, 00000

00 00

00 000

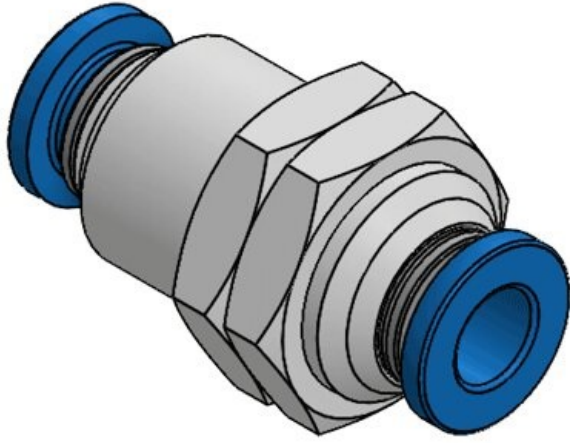
00 00 0 00

0000 000 D4



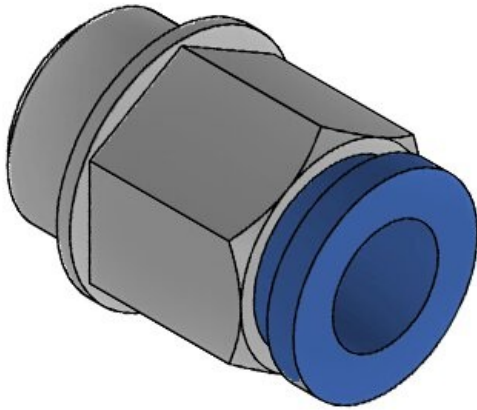
EAN **99210**
4251269325
601
10
M12 × 1,0
30,8 mm
00 700 0000 **4 mm**

0000 000 D6



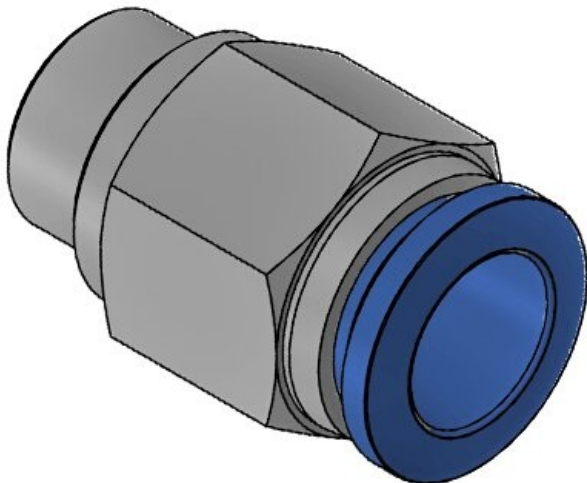
EAN 99211
4251269325
618
10
M14 × 1,0
32,3 mm
00 가00 0000 6 mm

0000 000 D8

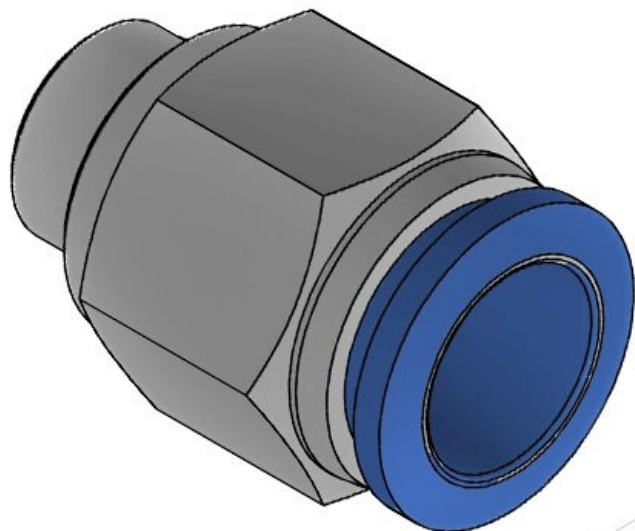


EAN 99227
4251269332
012
10
1/4"
23 mm
00 가00 0000 8 mm

0000 000 D10



EAN 99228
4251269332
029
10
1/4"
29,5 mm
00 가00 0000 10 mm



EAN 99229
4251269332
036
10
1/4"
31,5 mm
00 700 0000 12 mm