

# KEL-BES-S

10- 16- 24-pin



KEL-BES-S is a high-quality, reliable connector for 10-, 16- and 24-pin applications. It is designed for easy installation and removal, ensuring secure connections in demanding environments. KEL-BES-S is available in 10-, 16- and 24-pin configurations.

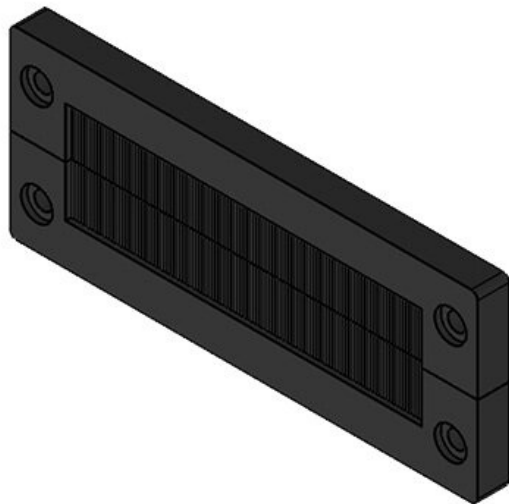


Material	UL94-V0, black
Temperature range	-20 C° to 90 C°
Dimensions	112 x 36 mm
Weight	0.15 g

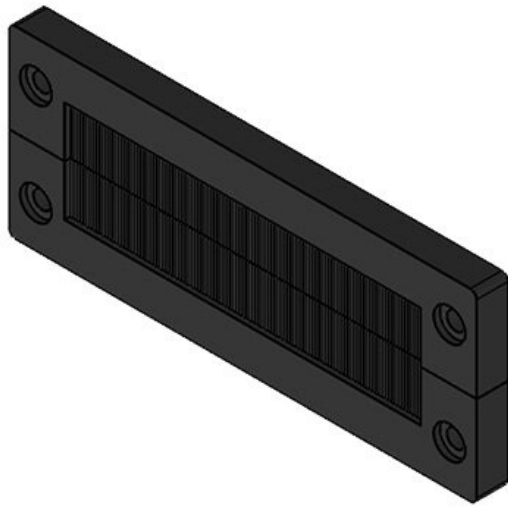
## Features

- High quality plastic
- High temperature resistant
- High strength and durability
- Easy installation and removal
- Reliable connection
- Available in 10-, 16- and 24-pin configurations

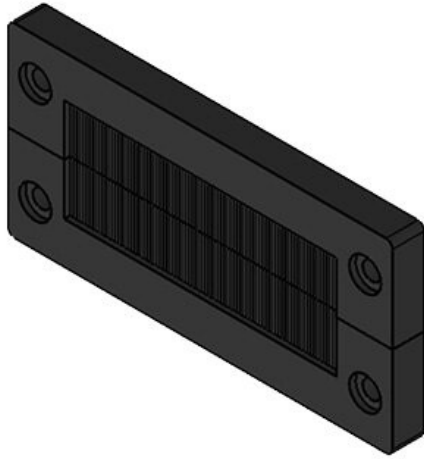
10- 16- 24-pin



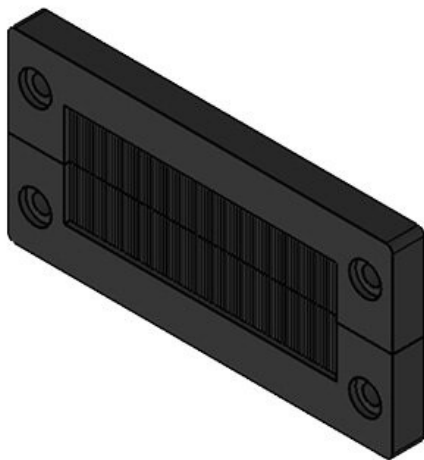
EAN	51522	112 x 36 mm
	425126931660	4
Dimensions	9	5,8 mm
	10	
	147 mm	
	58 mm	
Weight	10 mm	
	10 mm	



EAN 51522.002 00 0000 112 × 36 mm  
425126932070 00 0 0 4  
5 000 00 5,8 mm  
10  
147 mm  
58 mm  
10 mm  
00 00 10 mm



EAN 51521 00 0000 86 × 36 mm  
425126931659 00 0 0 4  
3 000 00 5,8 mm  
10  
120 mm  
58 mm  
10 mm  
00 00 10 mm

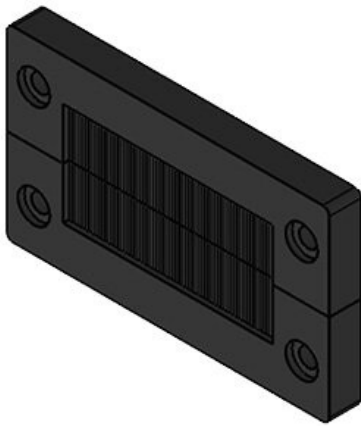


EAN 51521.002 00 0000 86 × 36 mm  
425126932069 00 0 0 4  
9 000 00 5,8 mm  
10  
120 mm  
58 mm  
10 mm  
00 00 10 mm



EAN 51520 00 00 00 65 × 36 mm  
425126931658 00 0 0 4  
6 00 0 0 5,8 mm  
10  
100 mm  
58 mm  
10 mm  
10 mm

00 00



EAN 51520.002 00 00 00 65 × 36 mm  
425126932068 00 0 0 4  
2 00 0 0 5,8 mm  
10  
100 mm  
58 mm  
10 mm  
10 mm

00 00