

# Bulkhead fittings & couplings

for pneumatic hoses 4-12 mm



RoHS  
compliant

REACH  
COMPLIANCE

The bulkhead fittings & couplings for pneumatic hoses are also available individually, e.g. for use with the [AT-K-M](#) and [QT-AT-K-M adapter grommets](#).

This means that pneumatic bulkhead couplings M12 × 1.0 and M14 × 1.0 can be integrated directly into the cable entry frame.

## Specifications

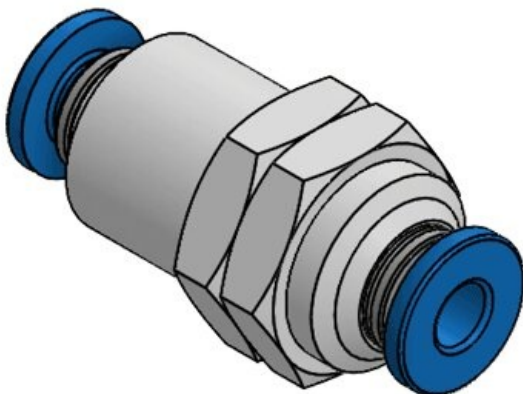
<b>Material</b>	Brass, nickel-plated
<b>Flame class</b>	UL94-V0, self-extinguishing
<b>Operating temperature</b>	-40 C° to 100 C°
<b>Properties</b>	silicone free, halogen free
<b>Mounting options</b>	Screw type mounting

## Advantages & Benefits

- By utilising the adapter grommets AT-K-M, pneumatic bulkhead fittings & couplings can be integrated directly into the cable entry frame
- Separate cut-outs are no longer necessary
- Space-saving solution

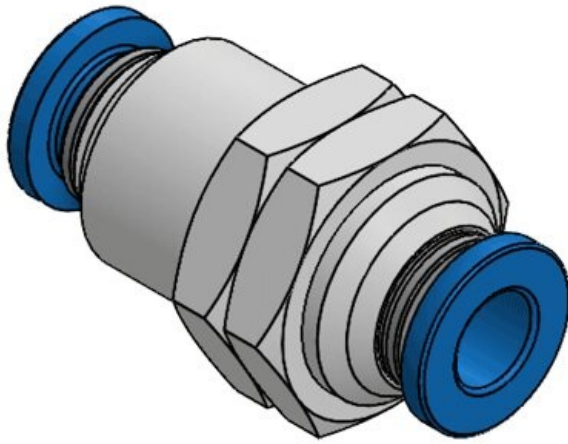
## Product Types & Sizes

### Bulkhead coupling D4



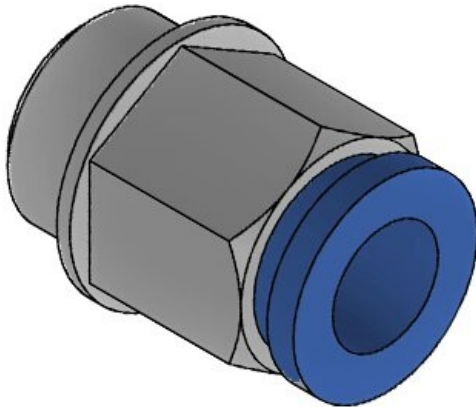
Part No.	<b>99210</b>
EAN	<b>4251269325601</b>
Package quantity	<b>10</b>
Thread	<b>M12 × 1,0</b>
Length	<b>30,8 mm</b>
For pneumatic hose	<b>4 mm</b>

**Bulkhead coupling D6**



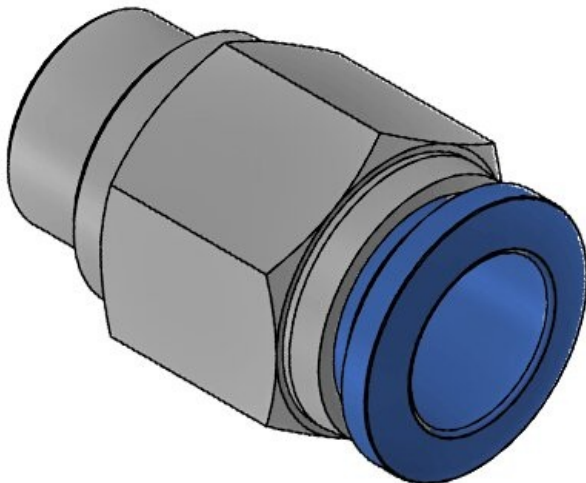
Part No. **99211**  
EAN **4251269325**  
**618**  
Package quantity **10**  
Thread **M14 × 1,0**  
Length **32,3 mm**  
For pneumatic hose **6 mm**

**Bulkhead fitting D8**



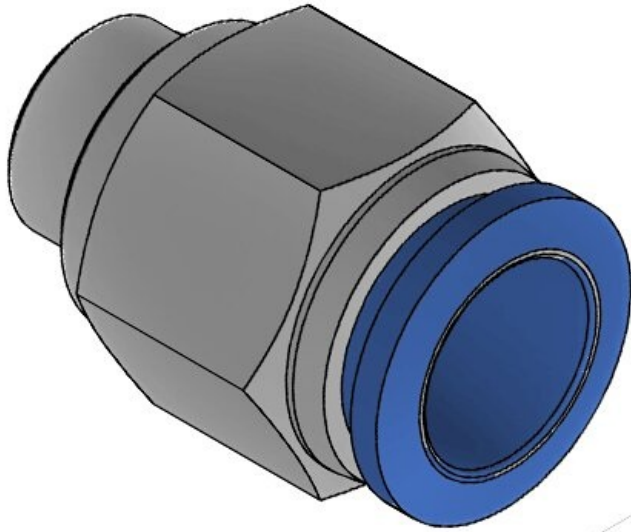
Part No. **99227**  
EAN **4251269332**  
**012**  
Package quantity **10**  
Thread **1/4"**  
Length **23 mm**  
For pneumatic hose **8 mm**

**Bulkhead fitting D10**



Part No. **99228**  
EAN **4251269332**  
**029**  
Package quantity **10**  
Thread **1/4"**  
Length **29,5 mm**  
For pneumatic hose **10 mm**

**Bulkhead fitting D12**



Part No. **99229**  
EAN **4251269332**  
**036**  
Package quantity **10**  
Thread **1/4"**  
Length **31,5 mm**  
For pneumatic hose **12 mm**

---

**icotek**<sup>®</sup>  
smart cable management