

# KEA | 90° Cable entry adapter

for split cable entry frames & multi-membrane cable entry plates / up to IP66



IP54

IP65

IP66

HL3  
EN 45545-2

EN 61373

ECOLAB  
certified

RoHS  
compliant

REACH  
COMPLIANCE

Made in  
Germany

KEA 24 is a cable entry adapter for accommodating various icotek cable entry frames and plates of size 24. The adapter allows cables to be routed at a 90° angle. The installation direction can be horizontal or vertical. The cables are protected against mechanical tension in the entry and exit areas. [Wall mounting](#) is done either with screws and nuts or by using threaded bushings. A suitable wall seal is included in the scope of delivery. icotek also offers suitable [punches for the cut-out](#).

The cable entry plates [KEL-DP 24 Type B](#) can be easily snapped onto the KEA 24 W90 R. The cable entry frames [KEL 24](#), [KEL-U 24](#), [KEL-ER 24](#) and the cable entry plates [KEL-DPZ 24](#) and [KEL-DPU 24](#) can be screwed onto the KEA 24 W90 S. This enables the insertion of pre-assembled and non-assembled cables.

## Protection class (KEA + ...):

- KEL-ER 24: IP54, IP65
- KEL-U 24: IP54
- KEL 24: IP54
- KEL-DPU 24: IP54, IP65
- KEL-DPZ 24: IP54, IP65, IP66
- KEL-DP 24 B: IP54

Borrow a sample now



## Specifications

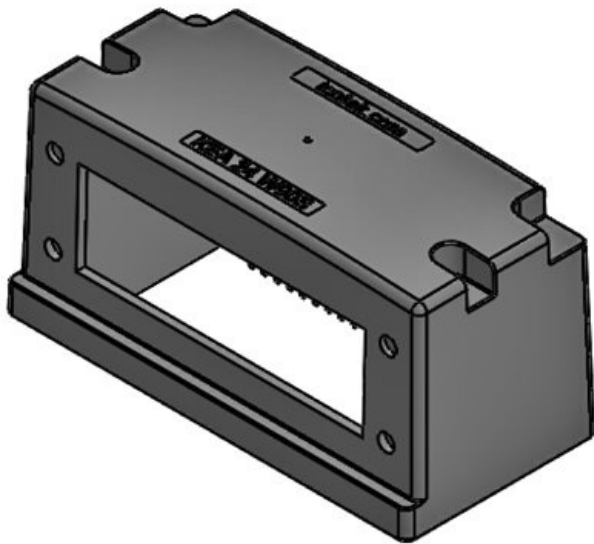
IP rating (EN 60529)	IP54, IP65, IP66
Material	Polyamide
Flame class	UL94-V0, self-extinguishing
Operating temperature	-40 C° to 120 C°
Properties	vibration proof, silicone free, halogen free
Mounting options	Screw type mounting, Snap-in

## Advantages & Benefits

- Allows the adaptation of cable entry plates at a 90° angle
- Quick and easy, partly tool-free (R variant) assembly
- High packing density in combination with cable entry plates (size 24)
- Mechanical protection at cable entry and exit due to the closed housing
- Universal 90° adapter for many icotek products in size 24
- Space saving within the control cabinet due to the bending radius being shifted outwards
- Edge protection
- Wall seal included
- High stability due to the geometry of the housing

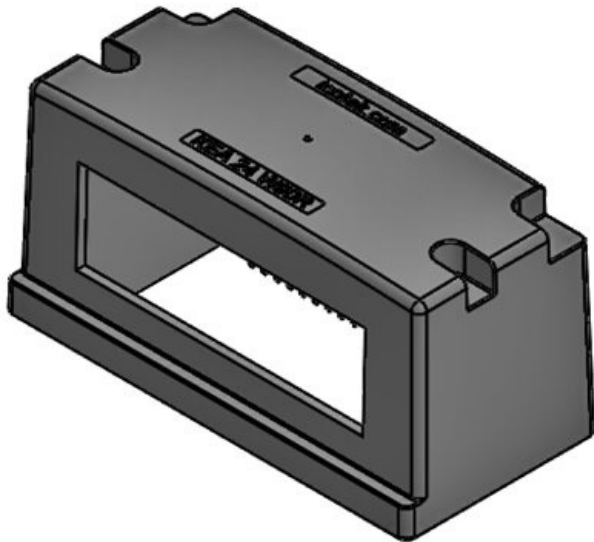
## Product Types & Sizes

KEA 24 W90 S



Part No.	<b>48301</b>	Cut-out size	<b>112 × 56 mm</b>
EAN	<b>4251269334</b>	No. of screw holes	<b>4</b>
Package quantity	<b>658</b>	Diam. of screw holes	<b>6 mm</b>
Length	<b>1</b>	Suitable for cable entry systems:	<b>KEL-ER 24, KEL-U 24, KEL-DPU 24, KEL-DPZ 24</b>
Width	<b>157 mm</b>		
Height	<b>75 mm</b>		
Mounting height	<b>77 mm</b>		

KEA 24 W90 R



Part No.	<b>48300</b>	Cut-out size	<b>112 × 56 mm</b>
EAN	<b>4251269334</b>	No. of screw holes	<b>4</b>
Package quantity	<b>641</b>	Diam. of screw holes	<b>6 mm</b>
Length	<b>1</b>	Suitable for cable entry systems:	<b>KEL-DP 24 B</b>
Width	<b>157 mm</b>		
Height	<b>75 mm</b>		
Mounting height	<b>77 mm</b>		