

KEL-BES-S split brush plate

for cable pass-through



RoHS
compliant



Made in
Germany

Split brush plates KEL-BES-S for routing cables into server racks, control panels and electrical enclosures. KEL-BES-S is also an ideal solution for entry and exit of cables that are routed inside raised floors, e.g. in computer centres.

The brush plates can either be mounted via screws or via [expanding rivets](#). Due to the split frame the KEL-BES-S can also be subsequently installed around the routed cables.

The KEL-BES-S frames match exactly the cut-out dimensions for 10-, 16- and 24-pin standard industrial connectors.

Specifications

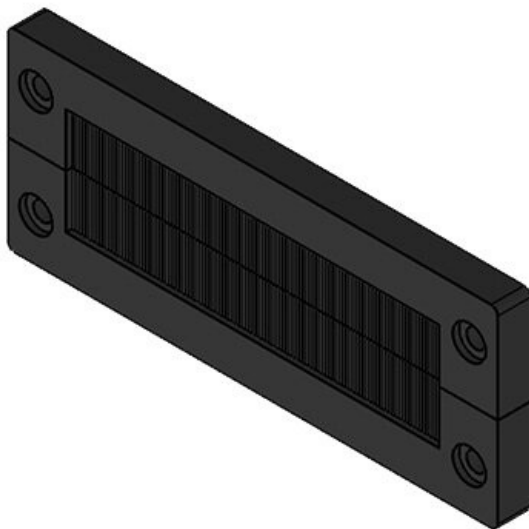
| | |
|------------------------------|---------------------------------|
| Material | Polyamide Brushes: Polyamide |
| Flame class | UL94-V0, self-extinguishing |
| Operating temperature | -20 C° to 90 C° |
| Properties | silicone free, halogen free |
| Mounting options | Screw type mounting, Riveting |

Advantages & benefits

- Fast and easy assembly
- Subsequent assembly possible
- Versatile utilisation
- Allows reduced airflow while filtering out dust, hair and larger particulate matter
- Visual screening
- Protects cables against wear due to sharp edges of the cut-out

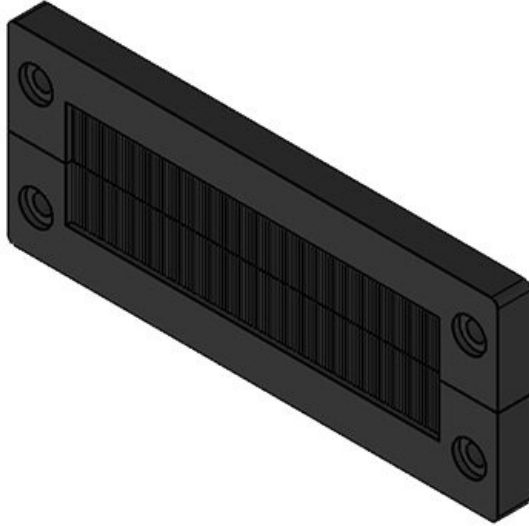
Product types & sizes

KEL-BES-S 24



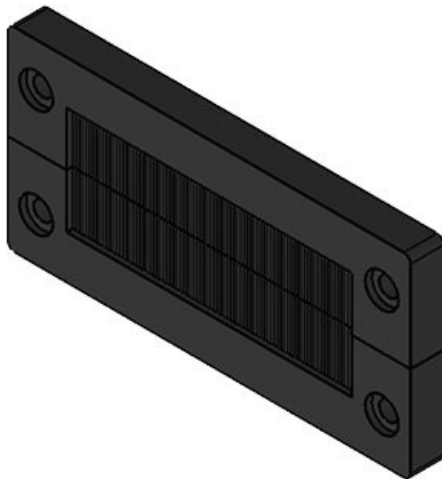
| | | | |
|------------------|-------------------|----------------------|--------------------|
| Part No. | 51522 | Cut-out size | 112 × 36 mm |
| EAN | 4251269316 | No. of screw holes | 4 |
| | 609 | Diam. of screw holes | 5,8 mm |
| Package quantity | 10 | | |
| Length | 147 mm | | |
| Width | 58 mm | | |
| Height | 10 mm | | |
| Mounting height | 10 mm | | |

KEL-BES-S 24 with expanding rivets



| | | | |
|------------------|-------------------|----------------------|--------------------|
| Part No. | 51522.002 | Cut-out size | 112 x 36 mm |
| EAN | 4251269320 | No. of screw holes | 4 |
| Package quantity | 10 | Diam. of screw holes | 5,8 mm |
| Length | 147 mm | | |
| Width | 58 mm | | |
| Height | 10 mm | | |
| Mounting height | 10 mm | | |

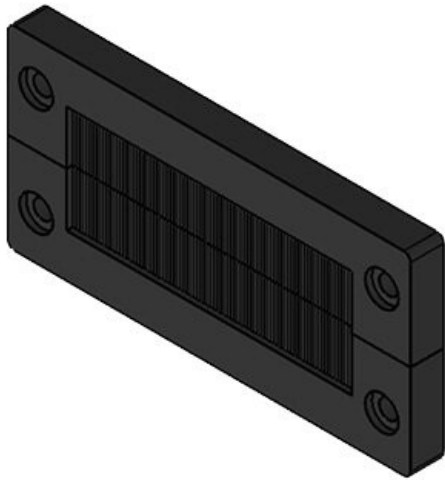
KEL-BES-S 16



| | | | |
|------------------|-------------------|----------------------|-------------------|
| Part No. | 51521 | Cut-out size | 86 x 36 mm |
| EAN | 4251269316 | No. of screw holes | 4 |
| Package quantity | 10 | Diam. of screw holes | 5,8 mm |
| Length | 120 mm | | |
| Width | 58 mm | | |
| Height | 10 mm | | |
| Mounting height | 10 mm | | |

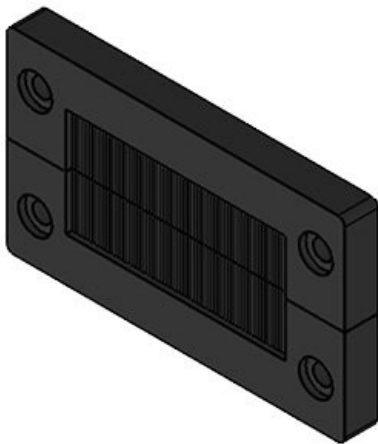
KEL-BES-S 16 with expanding rivets

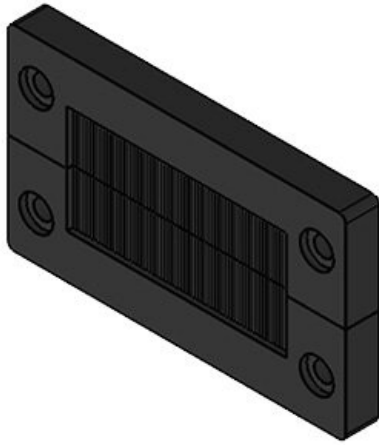
| | | | |
|------------------|----------------------|----------------------|-------------------|
| Part No. | 51521.002 | Cut-out size | 86 × 36 mm |
| EAN | 4251269320699 | No. of screw holes | 4 |
| Package quantity | 10 | Diam. of screw holes | 5,8 mm |
| Length | 120 mm | | |
| Width | 58 mm | | |
| Height | 10 mm | | |
| Mounting height | 10 mm | | |



KEL-BES-S 10

| | | | |
|------------------|----------------------|----------------------|-------------------|
| Part No. | 51520 | Cut-out size | 65 × 36 mm |
| EAN | 4251269316586 | No. of screw holes | 4 |
| Package quantity | 10 | Diam. of screw holes | 5,8 mm |
| Length | 100 mm | | |
| Width | 58 mm | | |
| Height | 10 mm | | |
| Mounting height | 10 mm | | |





| | | | |
|------------------|-------------------|----------------------|-------------------|
| Part No. | 51520.002 | Cut-out size | 65 × 36 mm |
| EAN | 4251269320 | No. of screw holes | 4 |
| Package quantity | 10 | Diam. of screw holes | 5,8 mm |
| Length | 100 mm | | |
| Width | 58 mm | | |
| Height | 10 mm | | |
| Mounting height | 10 mm | | |