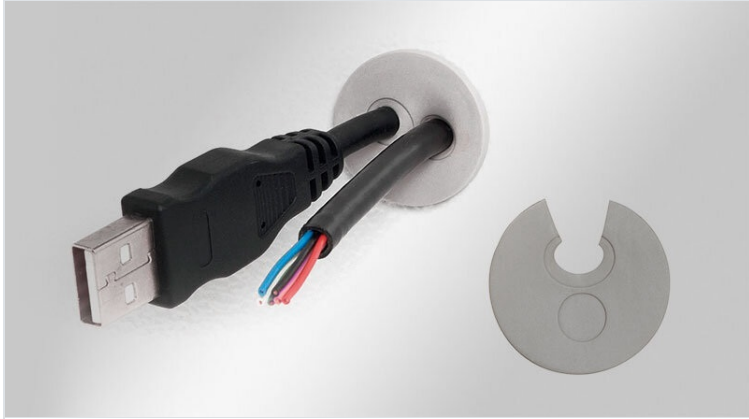


# KEL-QTE | Round pluggable cable entry plates

for cables with connectors, tool-free assembly / IP54



The KEL-QTE easily routes pre-terminated cables, multi-conductors, hoses or conduits without using any tools for assembly.

The KEL-QTE fits on cut-outs of 20 mm in diameter.

IP54

HL3  
EN 45545-2

ECOLAB  
certified

UV  
ISO 4892-2A

Made in  
Germany

RoHS  
compliant

REACH  
COMPLIANCE

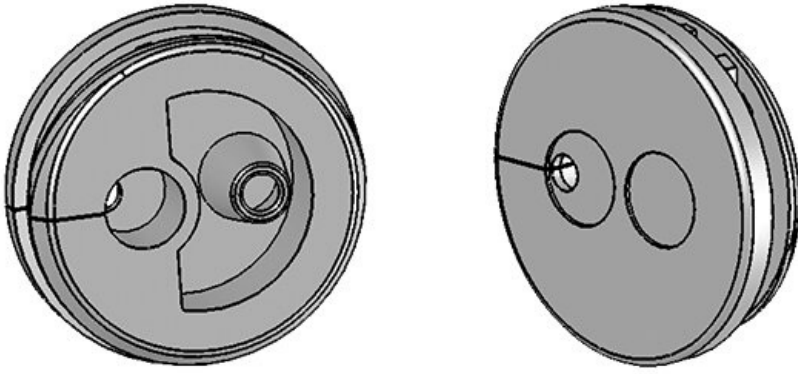
## Specifications

<b>IP rating (EN 60529)</b>	IP54
<b>Material</b>	Elastomer
<b>Flame class</b>	UL94-V0, self-extinguishing
<b>Operating temperature</b>	-40 C° to 100 C°
<b>Properties</b>	UV-resistant, silicone free, halogen free
<b>Mounting options</b>	Snap-in
<b>Mounting height</b>	2 mm

## Advantages & benefits

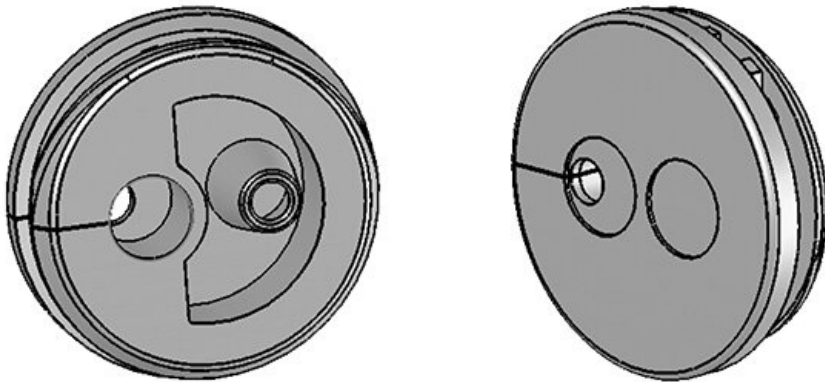
- Quick assembly without tools
- Routing of cables with and without connectors
- Upon disassembly (e.g. maintenance) screwing and unscrewing of the cable entry frame is not necessary
- Suitable for metric cut-outs

## Product types & sizes

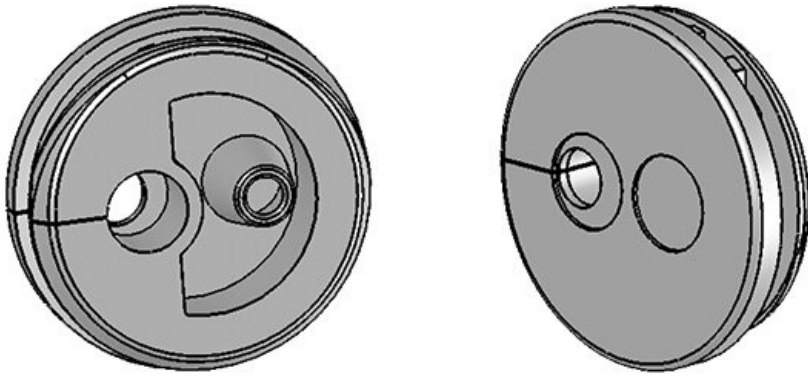


Part No. **43412**  
EAN **4251269309**  
**793**  
Package **10**  
quantity  
For max. no. of **2**  
cables  
Max. cable **3,2 mm**  
diam., with  
connector  
Max. cable **5,2 mm**  
diam., without  
connector  
Height **6 mm**  
Mounting **2 mm**  
height  
For min. wall **1,5 mm**  
thickness  
For max. wall **2,5 mm**  
thickness  
Min. cable **2,6 mm**  
diam., with  
connector  
Min. cable **1 mm**  
diam., without  
connector

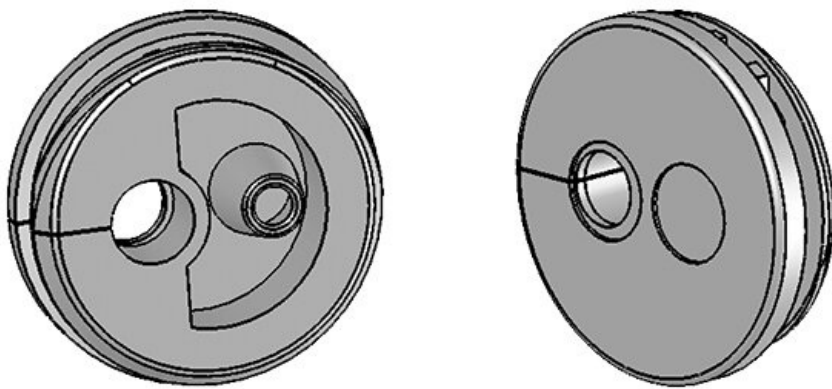
---



Part No. **43413**  
EAN **4251269309**  
**809**  
Package quantity **10**  
For max. no. of **2**  
cables  
Max. cable diam., with connector **3,8 mm**  
Max. cable diam., without connector **5,2 mm**  
Height **6 mm**  
Mounting height **2 mm**  
For min. wall thickness **1,5 mm**  
For max. wall thickness **2,5 mm**  
Min. cable diam., with connector **3,1 mm**  
Min. cable diam., without connector **1 mm**



Part No.	<b>43414</b>
EAN	<b>4251269309</b>
	<b>816</b>
Package quantity	<b>10</b>
For max. no. of 2 cables	
Max. cable diam., with connector	<b>4,8 mm</b>
Max. cable diam., without connector	<b>5,2 mm</b>
Height	<b>6 mm</b>
Mounting height	<b>2 mm</b>
For min. wall thickness	<b>1,5 mm</b>
For max. wall thickness	<b>2,5 mm</b>
Min. cable diam., with connector	<b>3,8 mm</b>
Min. cable diam., without connector	<b>1 mm</b>



Part No. **43415**  
EAN **4251269309**  
**823**  
Package quantity **10**  
For max. no. of **2** cables  
Max. cable diam., with connector **5,6 mm**  
Max. cable diam., without connector **5,2 mm**  
Height **6 mm**  
Mounting height **2 mm**  
For min. wall thickness **1,5 mm**  
For max. wall thickness **2,5 mm**  
Min. cable diam., with connector **4,7 mm**  
Min. cable diam., without connector **1 mm**